

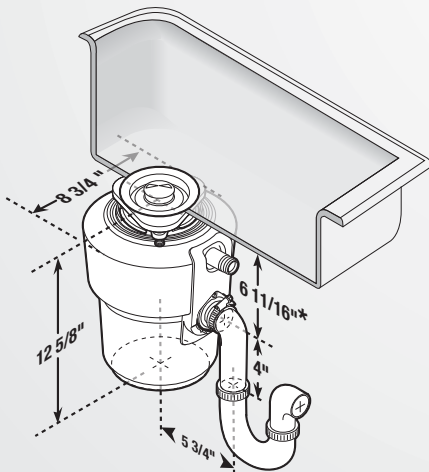
in **sink** erator®

Evolution Series®

Grind More. Hear Less.®

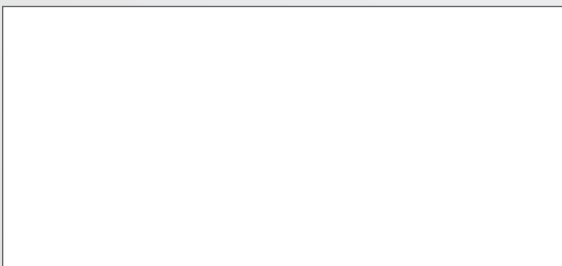


Dimensions



* Add 1/2" when stainless steel sinks are used.

Job Specifications



Food Waste Disposers

Evolution Essential®

The ideal choice for a wide range of applications.

Submittal Sheet

The ideal choice for a wide range of applications.

- **SoundSeal®** technology delivers quieter performance. Hold a conversation with elevated voices in the same room.
- **MultiGrind®** technology delivers 2 stages of grind vs. 1 stage in standard disposer.
- Includes Quiet Collar® sound reducing sink baffle.

Sample Specification

Food Waste Disposer(s) shall be InSinkErator Model Evolution Essential® with MultiGrind® and SoundSeal® technologies, 3/4 HP motor, Stainless Steel Grind Chamber and components.

Warranty:
6-Year parts and in-home service.

* The complete InSinkErator warranty is included in the Care & Use Booklet packed with each unit.

Specifications

Type of Feed	Continuous
On/Off Control	Wall Switch
Motor	Single Phase
HP	3/4
Volts	120
HZ	60
RPM	1725
Amp. (Avg. Load)	8.1
Time Rating	Intermittent
Lubrication	Permanently Lubricated Upper & Lower Bearings
Shipping Weight (Approx.)	20.8 lbs.
Unit Finish	Black Enamel Gray
Overall Height	12-5/8"
SoundSeal Technology	Anti-Vibration Mount® Anti-Vibration Tailpipe Mount™ Quiet Collar® Sink Baffle SoundLimiter® Insulation
MultiGrind Technology	GrindShear Ring®
Grind Chamber Capacity	40 oz.
Motor Protection	Manual Reset Overload
Average Water Usage	Approx. 1 Gallon Per Person Per Day
Average Electrical Usage	3-4 KWh Per Year
Drain Connection	1-1/2" Anti-Vibration (Hose Clamp)
Dishwasher Drain Connection	Yes



Food waste disposers can provide an environmentally responsible alternative to transporting food waste to landfills. And they can help reduce greenhouse gas emissions. At capable wastewater treatment plants, food waste can be recycled to produce renewable energy. Additionally, capable wastewater treatment plants can process food waste into fertilizer. (Check the plant in your area.)

www.insinkerator.com/green



The mark of responsible forestry
BV-COC-080715
© 1996 Forest Stewardship Council A.C.



EMERSON™
Commercial & Residential Solutions

The Emerson logo is a trademark and service mark of Emerson Electric Co. The mounting collar configuration is a trademark of Emerson Electric Co.

InSinkErator may make improvements and/or changes in the specifications at any time, in its sole discretion, without notice or obligation and further reserves the right to change or discontinue models.

1-800-558-5700
www.insinkerator.com